

Two Terminal Bipolar Power Supply

Victor Khasiev

Introduction

A 2-quadrant power supply—one that provides a positive or negative voltage to the same output terminals—can easily be produced using the **LT8714** 4-quadrant controller. The 2-quadrant supply shown here can be used in a variety of applications ranging from window tinting—where changing polarity changes the alignment of crystal molecules—to test and measurement equipment.

The LT8714 data sheet describes the operation of the 2-quadrant supply in the first quadrant (positive input, positive output) and in the third quadrant (positive input, negative output). Note that in both quadrants the power supply is sourcing current, thus producing a power source, not a power sink. The second quadrant and fourth quadrant produce a power sink.

Circuit Description and Functionality

Figure 1 shows an electrical schematic of the LT8714 as a 2-quadrant power supply. The powertrain consists of NMOS QN1, 2, PMOS QP1, 2, inductors L1, L2, coupling capacitor CC, and input and output filters. Inductors L1 and L2 are two discrete, noncoupled inductors, an approach that can reduce the cost of the converter.

Proper selection of active and passive components requires understanding the voltage stresses and current levels present in each quadrant. For this purpose, the functional topologies for the positive output are shown in Figure 2.

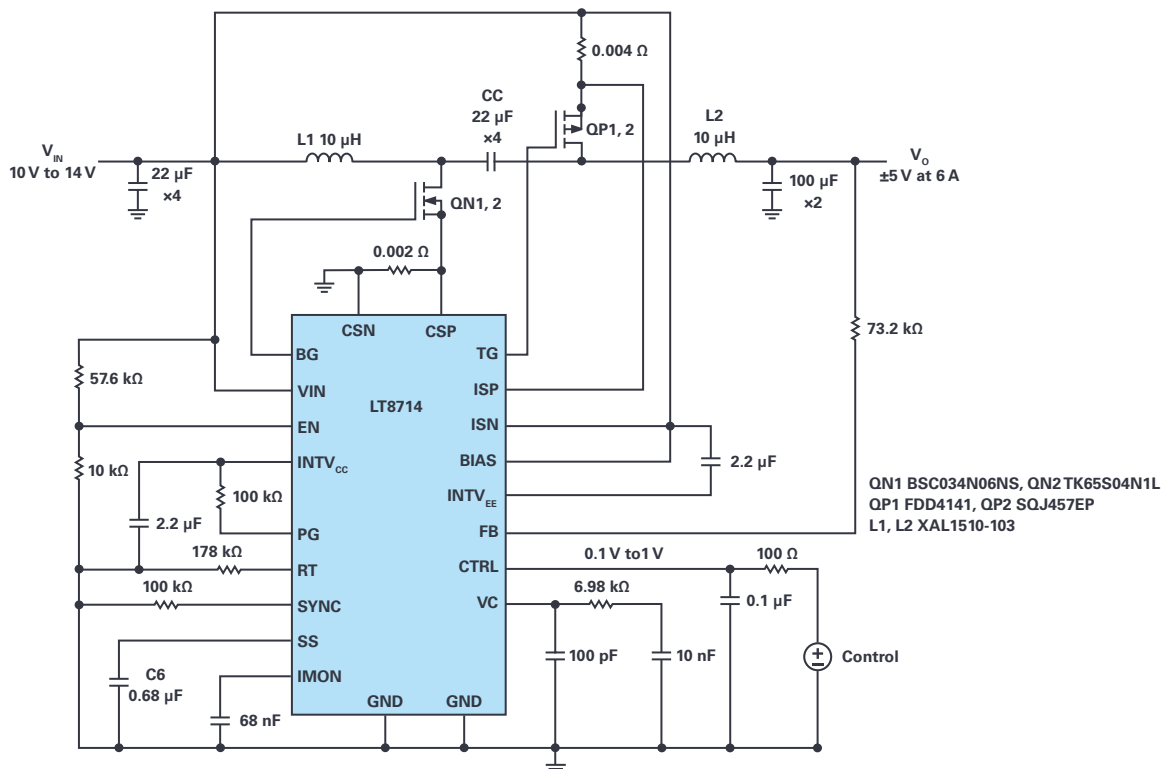


Figure 1. An electrical schematic of a power supply based on the LT8714 operating in two quadrants V_{IN} 12 V, V_O ± 5 V at 6 A.

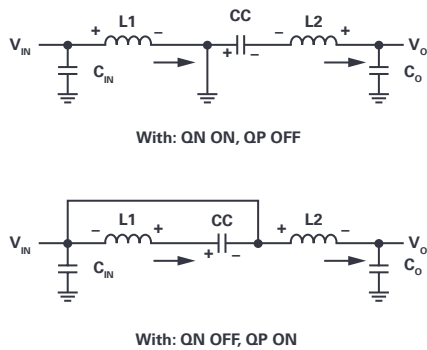


Figure 2. The topology of a 2-quadrant operation with a positive output.

When the volt-second balance is in a steady state, the duty cycle can be derived from the expression:

$$D = (V_{IN} - V_O) / (2 \times V_{IN} - V_O)$$

To verify the design, demonstration circuit DC2240A was reworked to match the schematic shown in Figure 1. The input voltage is a nominal 12 V, with output voltages of ± 5 V at a maximum current of 6 A for both.

The measured efficiency for the design is shown in Figure 3. The positive output exceeds that of the negative output, which matches the results of theoretical calculations. The voltage stress and current on the components are much higher in the negative output configuration, increasing losses, and decreasing efficiency.

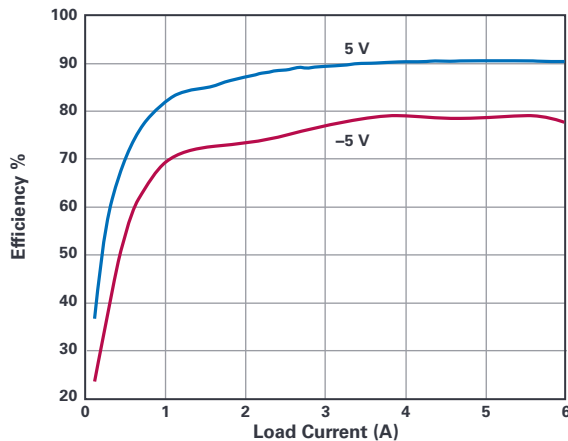


Figure 3. Converter efficiency curves with V_{IN} 12 V, V_{OUT} +5 V and -5 V, and a maximum IO of 6 A.

Figure 4 illustrates the excellent linearity of the output voltage vs. control voltage V_{CTRL} . For this configuration, the circuit was loaded by a 1 Ω resistor, and the control voltage was varied from 0.1 V to 1 V.

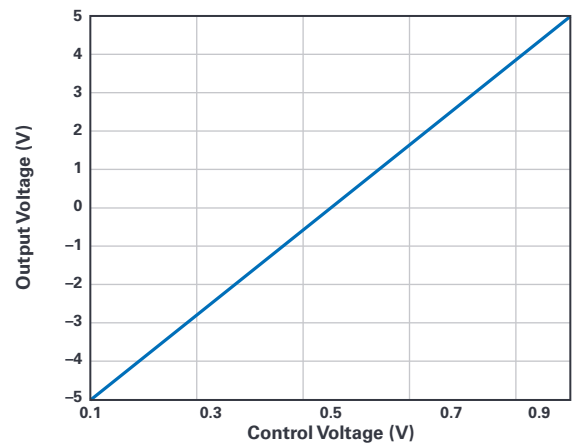


Figure 4. A graph of the output voltage, V_{OUT} , as a function of control voltage, V_{CTRL} . As V_{CTRL} changes from 0.1 V to 1 V, the V_{OUT} changes from -5 V to +5 V.

Using two LTspice® models, we were able to analyze the LT8714's performance with a power good indication in the first model and using uncoupled inductors in the second model.

Conclusion

This article demonstrates a simple 2-quadrant voltage source circuit using the LTC8714. The design was tested and verified to have excellent linearity from the LTC8714 controller.

About the Author

Victor Khasiev is a senior applications engineer at ADI with extensive experience in power electronics both in ac-to-dc and dc-to-dc conversion. He holds two patents and has written multiple articles. These articles relate to the use of ADI semiconductors in automotive and industrial applications. They cover step-up, step-down, SEPIC, positive-to-negative, negative-to-negative, flyback, and forward converters, as well as bidirectional backup supplies. His patents concern efficient power factor correction solutions and advanced gate drivers. Victor enjoys supporting ADI customers by answering questions about ADI products, designing and verifying power supply schematics, laying out print circuit boards, troubleshooting, and participating in testing final systems. He can be reached at victor.khasiev@analog.com.

Online Support Community



Engage with the Analog Devices technology experts in our online support community. Ask your tough design questions, browse FAQs, or join a conversation.

Visit ez.analog.com



AHEAD OF WHAT'S POSSIBLE™

Analog Devices, Inc.
Visit analog.com

For regional headquarters, sales, and distributors or to contact customer service and technical support, visit analog.com/contact.

Ask our ADI technology experts tough questions, browse FAQs, or join a conversation at the EngineerZone Online Support Community. Visit ez.analog.com.

©2019 Analog Devices, Inc. All rights reserved. Trademarks and registered trademarks are the property of their respective owners.

Ahead of What's Possible is a trademark of Analog Devices.

DN21362-6/19